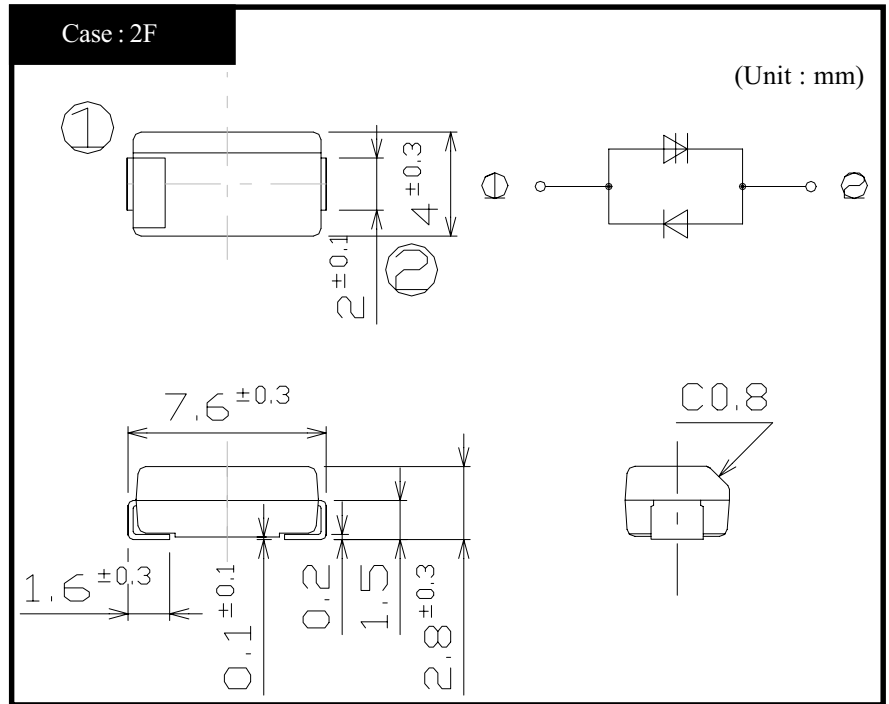


### KP10LU07

### OUTLINE DIMENSIONS



### RATINGS

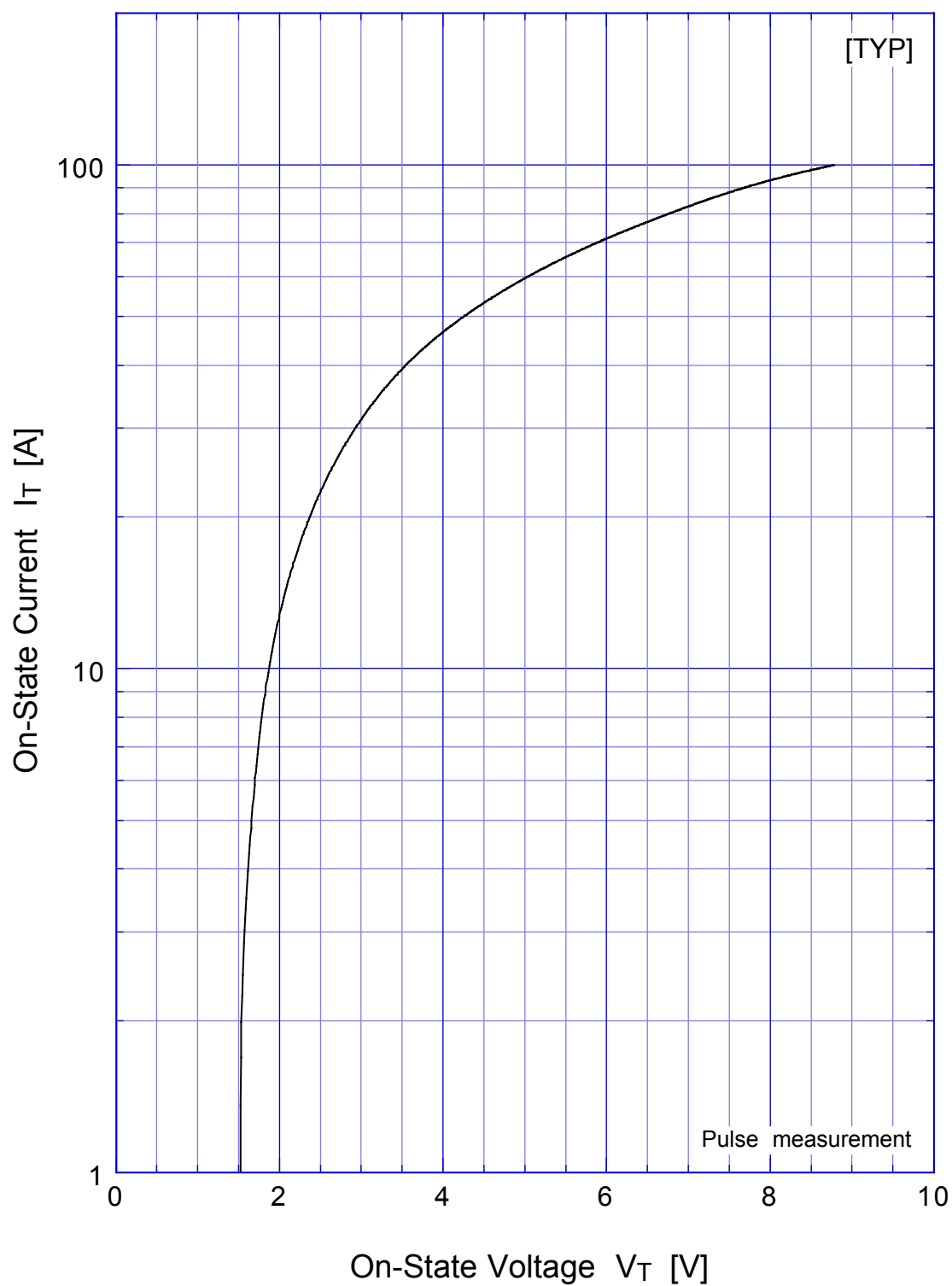
#### ●Absolute Maximum Ratings

Item	Symbol	Conditions	Ratings	Unit
Storage Temperature	T <sub>stg</sub>		-40~125	°C
Junction Temperature	T <sub>j</sub>		125	°C
Maximum Off-State Voltage	V <sub>DRM</sub>		60	V
Surge On-State Current	I <sub>TSM</sub>	10/1000 μ s, Non-repetitive	100	A
Surge On-State Current	I <sub>FSM</sub>	10/1000 μ s, Non-repetitive	100	

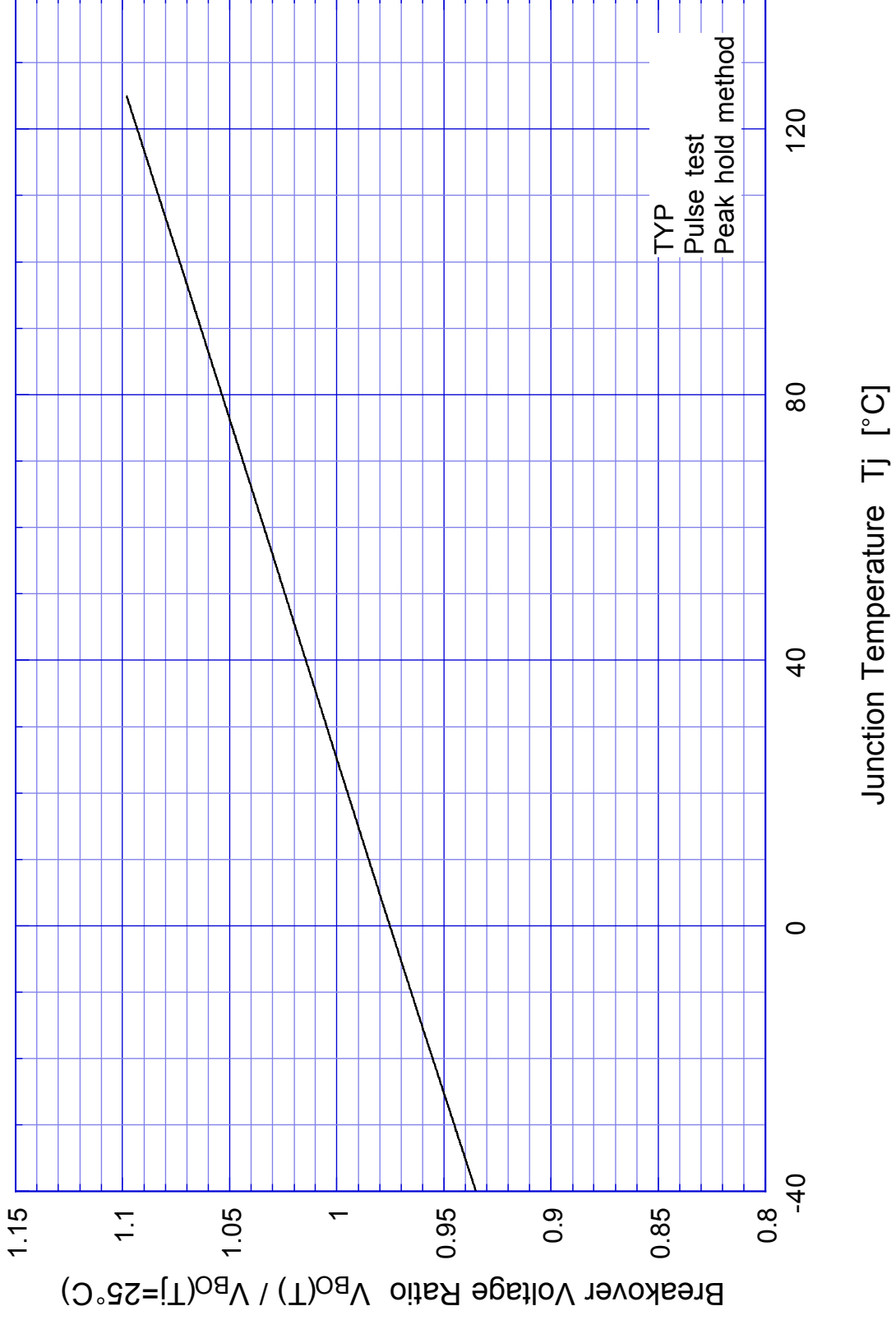
#### ●Electrical Characteristics (Tl=25°C)

Item	Symbol	Conditions	Ratings	Unit
Breakdown Voltage	V <sub>BR</sub>	Pulse measurement	Min 62	V
Off-State Current	I <sub>DRM</sub>	V <sub>D</sub> = V <sub>DRM</sub>	Max 10	μ A
Holding Current	I <sub>H</sub>	Pulse measurement	Min 100	mA
On-State Voltage	V <sub>T</sub>	I <sub>T</sub> = 2A	TYP 1.15	V
Junction Capacitance	C <sub>j</sub>	f = 1kHz OSC = 1V, V <sub>D</sub> = 50V	Max 180	pF
Clamping Voltage	V <sub>CL</sub>	dv/dt = 100V/μ s	Max 100	V

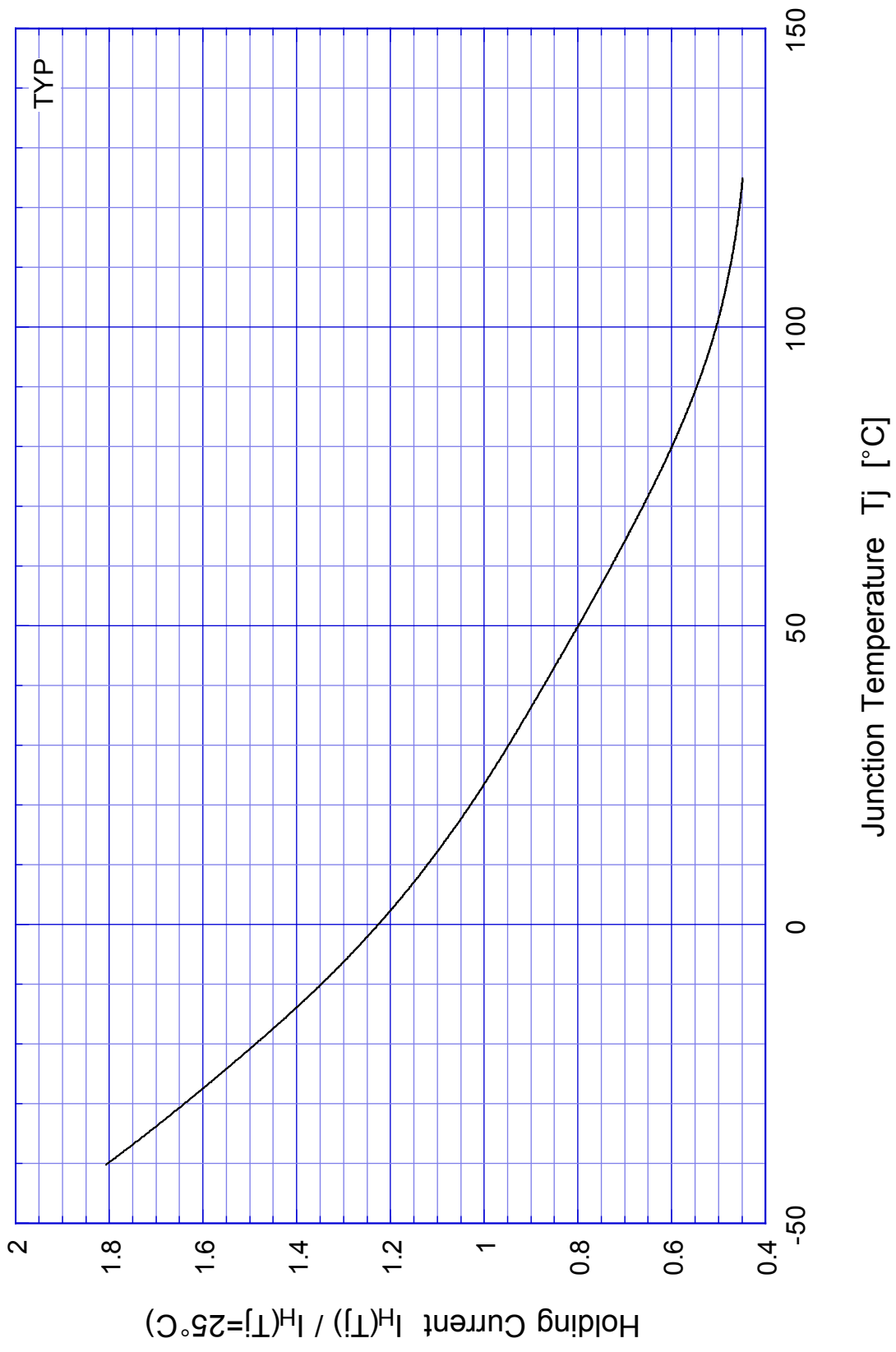
# KP10LU07 On-State Voltage - On-State Current



# KP10LU07 Breakover Voltage - Junction Temperature

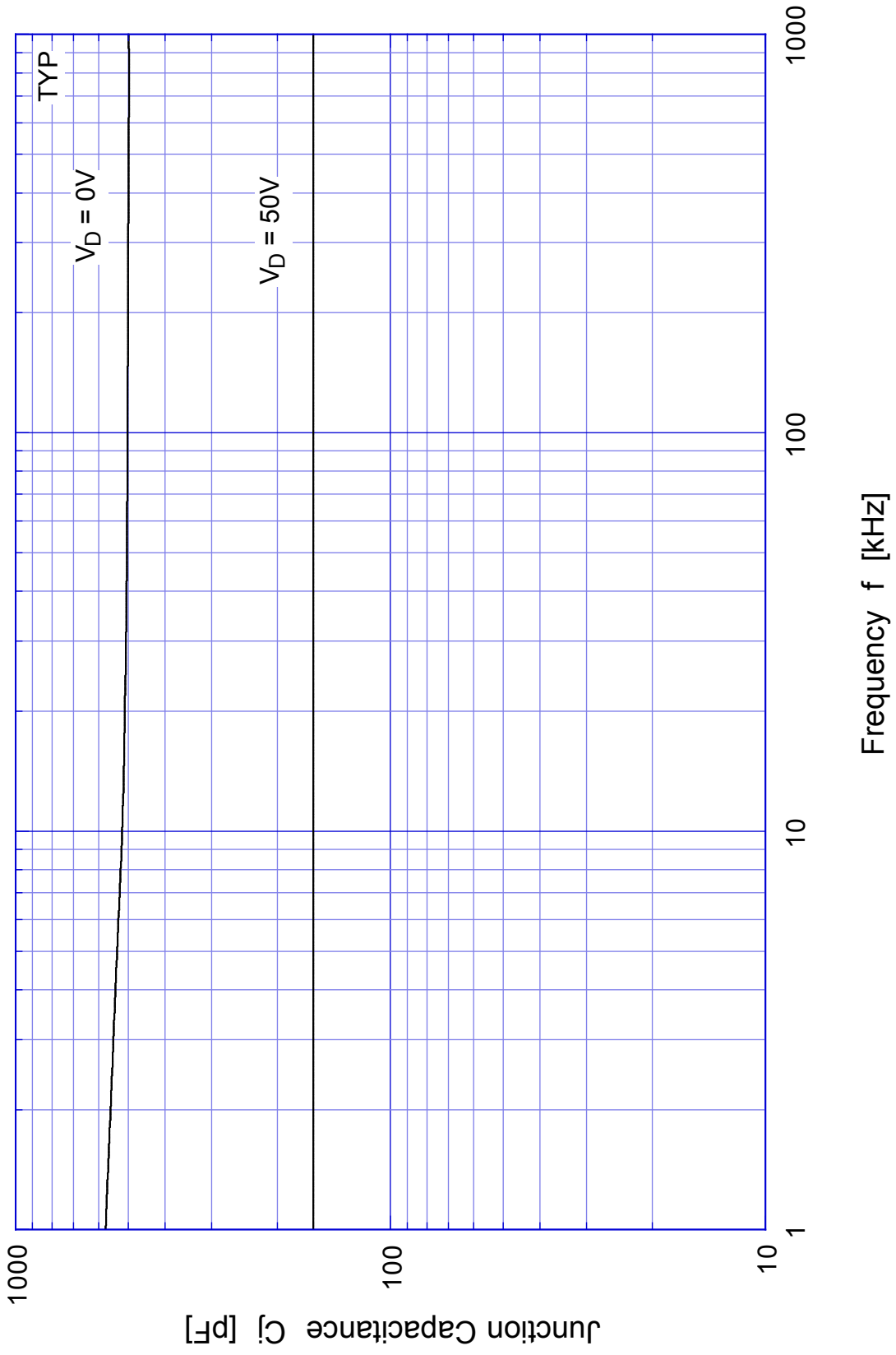


# KP10LU07 Holding Current - Junction Temperature

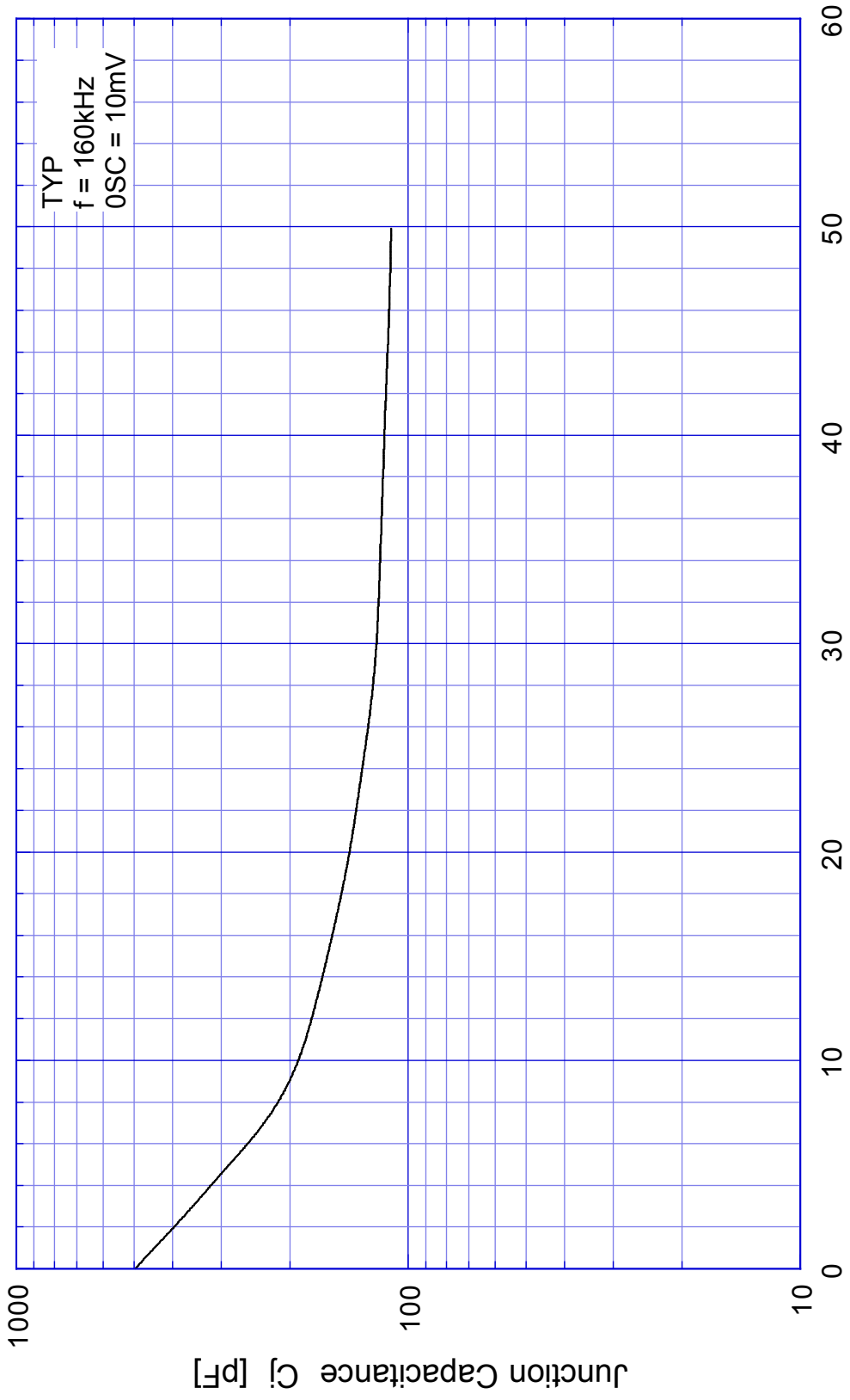


TYP

# KP10LU07 Junction Capacitance



# KP10LU07 Junction Capacitance



Off-State Applied Voltage  $V_D$  [V]

KP10LU07

Clamping Voltage

